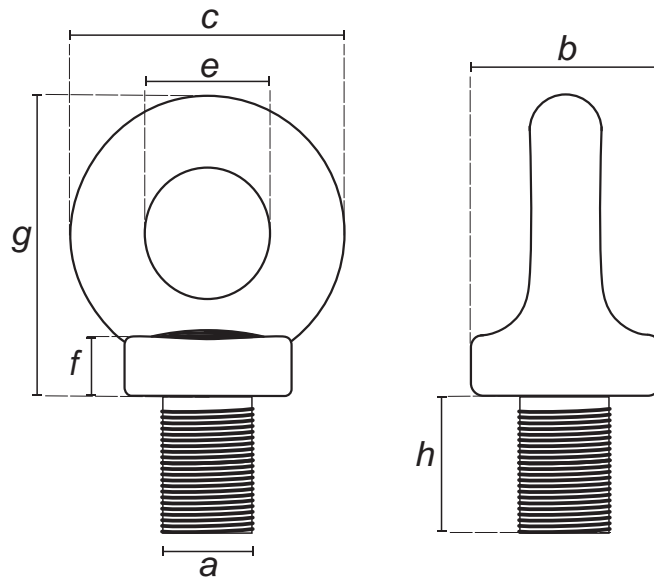


Gorilla Collared Eye Bolts are manufactured according to the Australian Standard AS2317. Available in a range of sizes.
All Collared eye bolts in the Gorilla range are suitable for industrial lifting applications.

SPECIFICATIONS



Product Code	Safe Working Load (tonnes)	Dimension (mm)						
		Thread Diameter <i>a</i>	Collar Diameter <i>b</i>	External Eye <i>c</i>	Internal Eye <i>e</i>	Collar Thickness <i>f</i>	Height <i>g</i>	Thread Length <i>h</i>
LG-EB-M10	0.25	10	22	33	15	7	36	18
LG-EB-M12	0.40	12	22	33	15	7	36	18
LG-EB-M16	0.80	16	29	44	20	10	48	23
LG-EB-M20	1.60	20	40	59	27	14	65	32
LG-EB-M24	2.50	24	52	77	35	17	84	40
LG-EB-M30	4.00	30	65	96	44	22	106	51