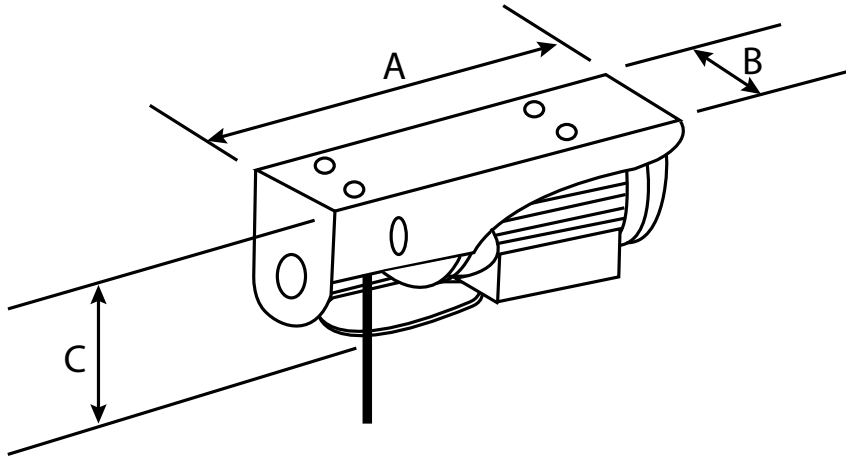


## Dimensions:



	<b>LG-EH-0100:</b>	<b>LG-EH-0500</b>	<b>LG-EH-0800</b>
<b>A:</b>	260mm	395mm	425mm
<b>B:</b>	94mm	150mm	150mm
<b>C:</b>	120mm	200mm	200mm

## Specification:

<b>MODEL:</b>	<b>LG-EH-0100</b>	<b>LG-EH-0500</b>	<b>LG-EH-0800</b>
VOLTAGE:	230-240V~50hZ	230-240v ~ 50hZ	230-240v ~ 50hZ
MAX LIFT:	100KG	500KG	800KG
CURRENT:	0.88A	4.0A	5.9A
CABLE DIAMETER:	2.5mm	4.2mm	5.1mm
INPUT POWER:	200W	900W	1350W
LIFTING HEIGHT:	8/4m	12/6m	12/6m
LIFT SPEED:	8/4m/min	4/8m/min	4/8m/min
CABLE TENSILE STRENGTH:	1870N/mm <sup>2</sup>	1770N/mm <sup>2</sup>	1770N/mm <sup>2</sup>